

TECHNICAL DATA SHEET

P/N FP10220-12: MONITOR W/ 12VDC MOTORS
 P/N FP10220-24: MONITOR W/ 24VDC MOTORS

SPECIFICATIONS:

WATER:

FLOW RATE: 50-350 USGPM
 OPER. PRESSURE RANGE: 50-200 PSIG
 PRESSURE LOSS @ 300 USGPM: 6 PSIG
 OPTIMUM OPER. PRESSURE: 110PSIG (INLET)

ELECTRICAL:

MOTOR VOLTAGE: 12/24 VDC
 LOCK ROTOR CURRENT: 12 AMPS @ 12 VDC
 6 AMPS @ 24 VDC
 CONTINUOUS CURRENT: .5 AMPS @ 12 VDC
 .25 AMPS @ 24 VDC

SPEED:

VERTICAL SWEEP RATE: 10.9°/SEC.
 HORIZONTAL SWEEP RATE: 10.9/SEC.

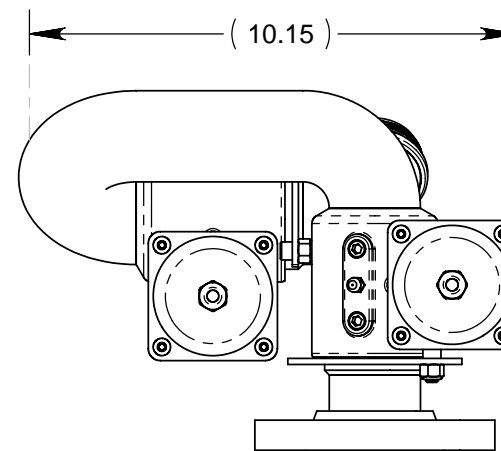
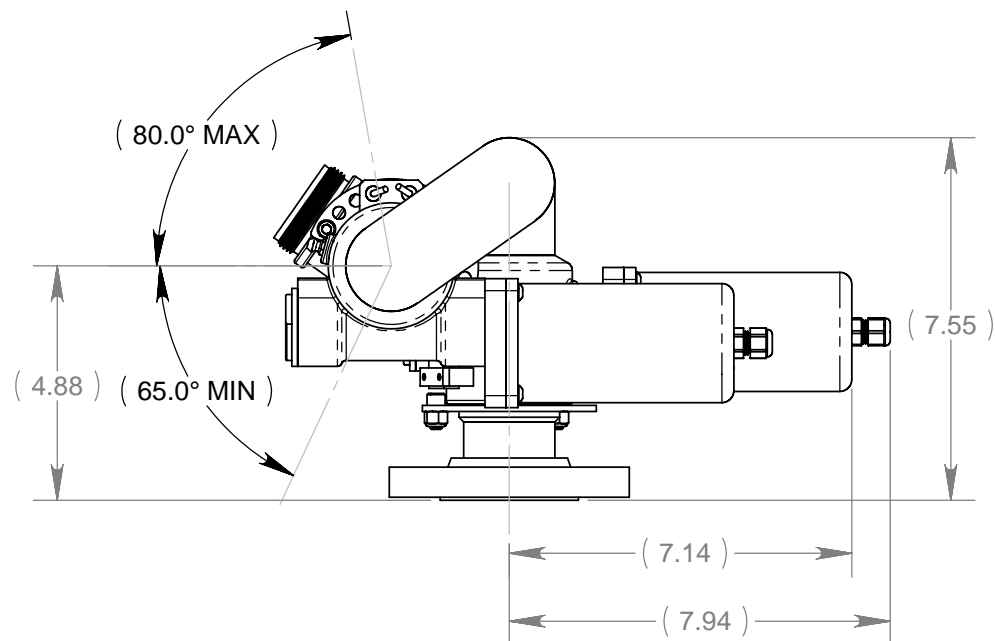
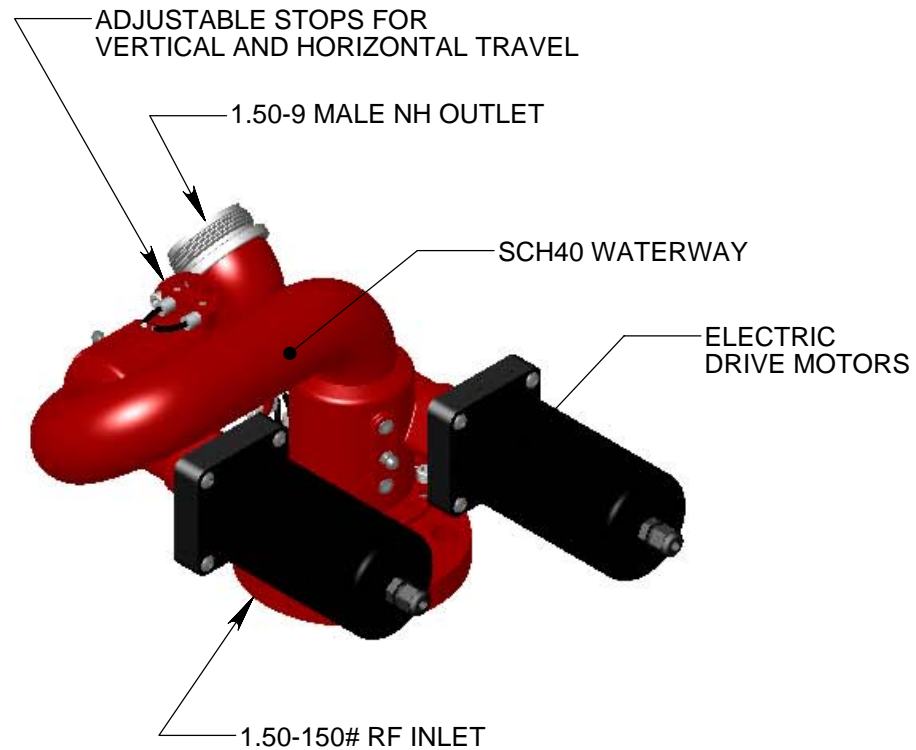
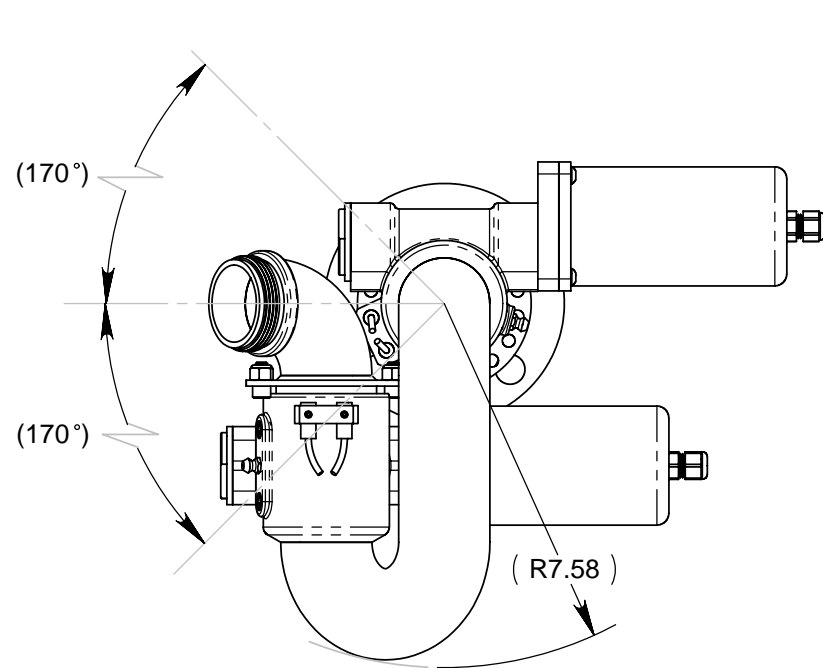
MOUNTING:

INLET: 1.5" 150# RF FLANGE
 OUTLET: 1.5-9" MALE NH THREAD

MATERIALS:

WATERWAY: CARBON STEEL (COATED INSIDE AND OUT)
 SWIVELS: 303 STAINLESS STEEL
 THREAD BUTT: 303 STAINLESS STEEL

UNIT WEIGHT: 18 LBS (DRY)



PROPRIETARY AND CONFIDENTIAL

THE INFORMATION CONTAINED IN THIS DRAWING IS THE SOLE PROPERTY OF FIREPRO MONITORS. ANY REPRODUCTION IN PART OR AS A WHOLE WITHOUT THE WRITTEN PERMISSION OF FIREPRO MONITORS IS PROHIBITED.

UNLESS OTHERWISE SPECIFIED:		NAME	DATE	FirePro Monitors City of Industry, CA 91744		
DIMENSIONS ARE IN INCHES		DRAWN	RBS			01/20/08
TOLERANCES:		CHECKED				
ANGULAR: MACH ±1°		Q.A.				
BEND ±2°					MONITOR, 1.50" ELECTRIC ULTRA-LOW	
TWO PLACE DECIMAL ±.030						
THREE PLACE DECIMAL ±.005					COMMENTS:	
ALL MACHINED SURFACES $\sqrt{125}$						
INTERPRET GEOMETRIC TOLERANCING PER: ANSI Y14.5		SIZE	DWG. NO.	REV		
MATERIAL		B	FP10220	A		
FINISH						
NONE		SCALE: 1:4	WT:	SHEET 1 OF 1		
DO NOT SCALE DRAWING						